

# LBC 2900/xx Unidirectional Handheld Microphones

www.boschsecurity.com



**BOSCH**  
Invented for life



- ▶ Unidirectional dynamic microphone
- ▶ Handheld or stand-mounted use with clip (supplied)
- ▶ Rugged construction
- ▶ Modern non-reflective dark grey finish

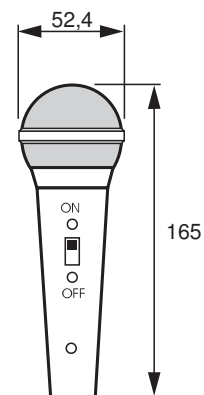
With this unidirectional microphone, Bosch provides impressive audio performance at an economical price. The LBC 2900/xx is based on a dynamic transducer element that is designed for high speech intelligibility. Its rugged enclosure is both stylish and easy to use in a wide range of public and sound reinforcement applications.

## Functions

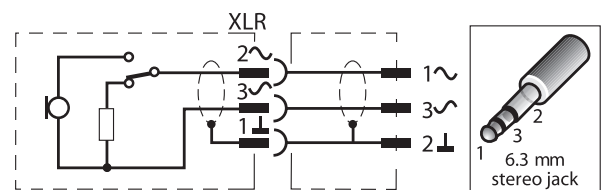
The LBC 2900/xx is a unidirectional microphone intended for either handheld or stand-mounted use. It has excellent cardioid directivity, which reduces acoustic feedback. The built-in on/off switch on the microphone body and the 3-pin lockable XLR connector at the base ensure that the microphone is easy to install and securely connected. Its modern design gives shielding against bursts (pops).

The LBC 2900/xx is ideal for use with Bosch mixing amplifiers, which are fitted with jack or XLR connectors for the input channels. Together, they provide affordable yet highly versatile public address solutions for shops, restaurants, leisure centers and other smaller applications.

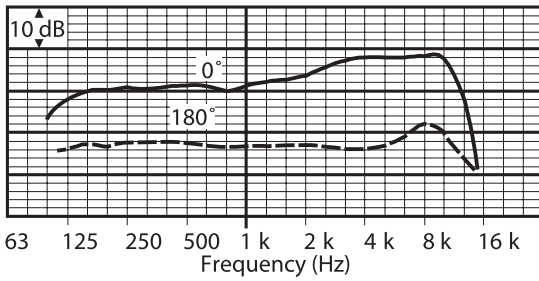
## Installation/configuration notes



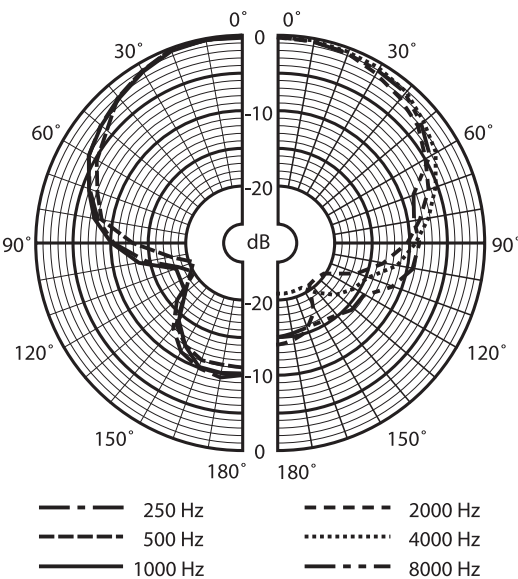
Dimensions in mm



Circuit diagram



Frequency response



Polar diagram

**Parts included**

Quantity	Component
1	LBC 2900/15 with 7 m (23 ft) shielded black cable terminated with a 6.3 mm (1/4") stereo jack plug or LBC 2900/20 with a 7 m (23 ft) shielded black cable terminated with an XLR male plug
1	Stand bracket with push-on clip for use with microphone stand, and screw-thread adapter for 3/8", 1/2", or 5/8" Whitworth-threaded stand

**Technical specifications**

**Electrical\***

Type	Handheld
Polar pattern	Unidirectional
Frequency range	80 Hz to 12 kHz
Sensitivity	1.7 mV/Pa ±3 dB
Rated output impedance	600 ohm

\* Technical performance data acc. to IEC 60268-4

**Mechanical**

Dimensions (D x L)	52.4 x 165 mm (2.06 x 6.49 in)
Weight	270 g (9.5 oz)
Color	Dark gray
Switch	On/off slide
Cable length	7 m (23 ft)
Connector (/15)	6.3 mm (1/4") stereo jack
Connector (/20)	3-pin XLR

**Environmental**

Operating temperature	-10 °C to +55 °C (+14 °F to +131 °F)
Storage temperature	-40 °C to +70 °C (-40 °F to +158 °F)
Relative humidity	<95%

**Ordering information**

**LBC 2900/15 Unidirectional Handheld Microphone**

Dynamic handheld microphone, unidirectional, non-reflective dark gray finish, On/off switch. Supplied with 7 m (23 ft) cable, XLR female / 6.3 mm (1/4") stereo jack plug connection cable, quick-release microphone clamp, and storage box.

Order number **LBC2900/15**

**LBC 2900/20 Unidirectional Handheld Microphone**

Dynamic handheld microphone, unidirectional, non-reflective dark gray finish, On/off switch. Supplied with 7 m (23 ft) cable, XLR male/ female connection cable, quick-release microphone clamp, and storage box.

Order number **LBC2900/20**

**Accessories**

**LBC 1215/01 Microphone Clamp**

Universal spring-loaded microphone holder, friction angular adjustment, matt black, screws onto a 3/8", 1/2", or 5/8" Whitworth thread, holds microphone stem with 19 to 32 mm diameter.

Order number **LBC1215/01**

**LBC 1221/01 Floor Stand**

Microphone floor stand, three folding legs, matt black, adjustable length from 850 to 1600 mm (2.79 to 5.25 ft) with twist clamp, threaded connector 3/8" Whitworth.

Order number **LBC1221/01**

**LBC 1227/01 Table Stand**

Table microphone stand, matt black, heavy round cast-iron base, 130 mm (5.12 in) diameter with shock-absorbing rubber insert under surface, with 3/8" Whitworth stud.

Order number **LBC1227/01**

### **LBC 1226/01 Adjustable Boom**

Microphone boom arm, matt black, maximum reach 670 mm (2.12 ft), length 840 mm (2.76 ft), fits onto 3/8" Whitworth threaded microphone stands.

Order number **LBC1226/01**

---

**Represented by:**

**Americas:**

Bosch Security Systems, Inc.  
12000 Portland Avenue South  
Burnsville MN 55337, USA  
Phone: +1-800-392-3497  
Fax: +1-800-955-6831  
audiosupport@us.bosch.com  
www.boschsecurity.com

**Europe, Middle East, Africa:**

Bosch Security Systems B.V.  
P.O. Box 80002  
5617 BA Eindhoven, The Netherlands  
Phone: + 31 40 2577 284  
Fax: +31 40 2577 330  
emea.securitysystems@bosch.com  
www.boschsecurity.com

**Asia-Pacific:**

Robert Bosch (SEA) Pte Ltd, Security Systems  
11 Bishan Street 21  
Singapore 573943  
Phone: +65 6571 2808  
Fax: +65 6571 2699  
apr.securitysystems@bosch.com  
www.boschsecurity.asia

**China:**

Bosch (Shanghai) Security Systems Ltd.  
201 Building, No. 333 Fuquan Road  
North IBP  
Changning District, Shanghai  
200335 China  
Phone +86 21 22181111  
Fax: +86 21 22182398  
www.boschsecurity.com.cn

**America Latina:**

Robert Bosch Ltda Security Systems Division  
Via Anhanguera, Km 98  
CEP 13065-900  
Campinas, Sao Paulo, Brazil  
Phone: +55 19 2103 2860  
Fax: +55 19 2103 2862  
latam.boschsecurity@bosch.com  
www.boschsecurity.com